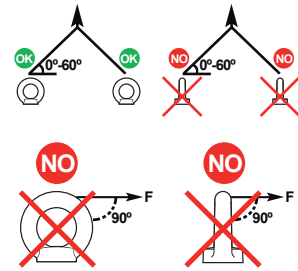
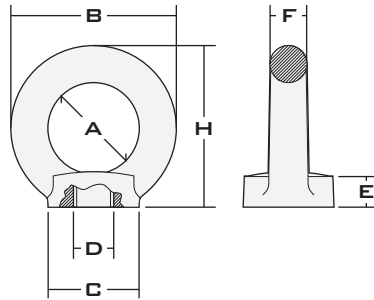



ANILLA DE ELEVACIÓN DIN 582 8.8 EYE BOLT DIN 582 8.8

FICHA TÉCNICA TECHNICAL DATA SHEET



| CÓDIGO CODE | MÉTRICA METRICS | CMA. Ø° | A | B | C | E | F | H | PESEO WEIGHT |  |
|----------------|--------------------|------------|----|-----|----|----|----|-----|-----------------|---|
| | (D) m.m. | | | | | | | | | |
| 5828008 | M 8 | 0,8 | 25 | 45 | 25 | 10 | 10 | 45 | 0,100 | 50 |
| 5828010 | M10 | 1,0 | 25 | 45 | 25 | 10 | 10 | 45 | 0,100 | 50 |
| 5828012 | M12 | 1,6 | 35 | 63 | 35 | 14 | 14 | 62 | 0,260 | 20 |
| 5828016 | M16 | 4,0 | 35 | 63 | 35 | 14 | 14 | 62 | 0,260 | 20 |
| 5828020 | M20 | 6,0 | 50 | 90 | 50 | 20 | 20 | 90 | 0,750 | 8 |
| 5828024 | M24 | 8,0 | 50 | 90 | 50 | 20 | 20 | 90 | 0,750 | 8 |
| 5828030 | M30 | 12,0 | 60 | 108 | 65 | 24 | 24 | 109 | 1,400 | 4 |

CARGA MÁXIMA DE TRABAJO / WORKING LOAD LIMIT

| CÓDIGO CODE | MÉTRICA METRICS | 1 RAMAL SINGLE LEG | | | | | | 2 RAMALES 2 LEGS | | 3/4 RAMALES 3/4 LEGS | | PAR DE APRIETE MÁX. MAX. TIGHTENING COUPLE |
|----------------|--------------------|-----------------------|------|----------|-----------|----------|-----------|---------------------|-----|-------------------------|-----|---|
| | | Ø° | Ø° | Ø° - 45° | 45° - 60° | Ø° - 45° | 45° - 60° | TN. | TN. | TN. | TN. | |
| 5828008 | M 8 | 0,8 | 1,6 | 0,28 | 0,20 | 0,40 | 0,28 | 8 | | | | |
| 5828010 | M10 | 1,0 | 2,0 | 0,35 | 0,25 | 0,50 | 0,35 | 16 | | | | |
| 5828012 | M12 | 1,6 | 3,2 | 0,56 | 0,40 | 0,80 | 0,56 | 28 | | | | |
| 5828016 | M16 | 4,0 | 8,0 | 1,40 | 1,00 | 2,00 | 1,40 | 70 | | | | |
| 5828020 | M20 | 6,0 | 12,0 | 2,10 | 1,50 | 3,00 | 2,10 | 135 | | | | |
| 5828024 | M24 | 8,0 | 16,0 | 2,80 | 2,00 | 4,00 | 2,80 | 230 | | | | |
| 5828030 | M30 | 12,0 | 24,0 | 4,20 | 3,00 | 6,00 | 4,20 | 465 | | | | |

ROSCAR A MANO / TO BE SCREWED BY HAND
 COEFICIENTE DE SEGURIDAD - 4:1 / SAFETY RATIO - 4:1