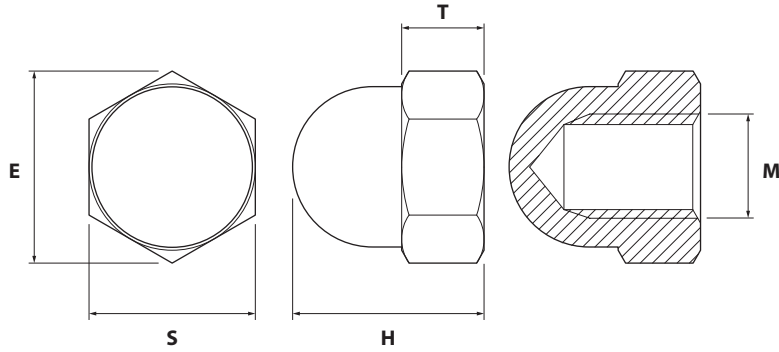


TUERCA CIEGA DIN 1587 / ISO 4161 CINCADA
ZINC PLATED HEXAGON CAP NUT

FICHA TÉCNICA
TECHNICAL DATA SHEET

Material / Material:
Recubrimiento / Coating:

Acero / Steel
Cincado plata Cr3 5µm / Cr3 5µm Zinc plated



MEDIDAS / MEASURES

M (mm)	S	E	M _k max.	T max.	H	Paso / Pitch
M3	5,5	6,01	5,5	2,4	7,0	0,5
M4	7	7,66	6,5	3,2	8,0	0,7
M5	8	8,79	7,5	4,0	10,0	0,8
M6	10	11,05	9,5	5,0	12,0	1,0
M8	13	14,38	12,5	6,5	15,0	1,25
M10*	17/16*	18,90	16,0	8,0	18,0	1,5
M12*	19/18*	21,10	18,0	10,0	22,0	1,75
M14*	22/21*	24,49	21,0	11,0	25,0	2
M16	24	26,75	23,0	13,0	28,0	2
M18	27	30,14	26,0	15,0	32,0	2,5
M20	30	33,53	28,0	16,0	34,0	2,5
M22*	32/34*	37,72	33,0	18,0	39,0	2,5
M24	36	39,98	34,0	19,0	42,0	3
M27	41	47,30	40,0	20,0	47,0	3
M30	46	52,00	42,0	24,0	52,0	3,5

* Medidas según norma ISO / Measurements according to ISO standard / Mesures selon la norme ISO / Messungen nach ISO-Norm
DIN/ISO