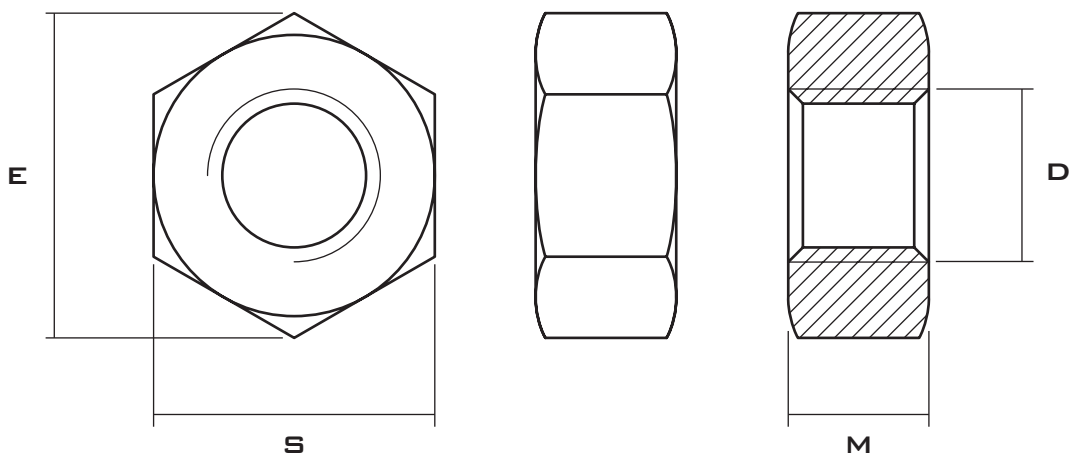


TUERCA DIN 934 | 8 | CINCADA
ZINC PLATED NUT DIN 934 | 8 |

FICHA TÉCNICA
 TECHNICAL DATA SHEET

Material / Material: Acero C-8 / C-8 Steel
Recubrimiento / Coating: Cincado / Zinc plated



MEDIDAS / MEASURES

Medidas en mm / Measures in mm

D	S	E	M
M3	5,5	6,01	2,4
M3,5	6	6,58	2,8
M4	7	7,66	3,2
M5	8	8,79	4,0
M6	10	11,05	5,0
M7	11	12,12	5,5
M8	13	14,38	6,5
M10	17	18,90	8,0
M12	19	21,10	10,0
M14	22	24,49	11,0
M16	24	26,75	13,0
M18	27	29,56	15,0
M20	30	32,95	16,0
M22	32	35,03	18,0
M24	36	39,55	19,0
M27	41	45,20	22,0
M30	46	50,85	24,0
M33	50	55,37	26,0
M36	55	60,79	29,0
M39	60	66,44	31,0
M42	65	72,09	34,0
M45	70	76,95	36,0
M48	75	82,60	38,0
M52	80	88,25	42,0
M56	85	93,56	45,0
M60	90	99,21	48,0
M64	95	104,86	51,0
M68	100	110,51	54,0
M72	105	116,16	58,0