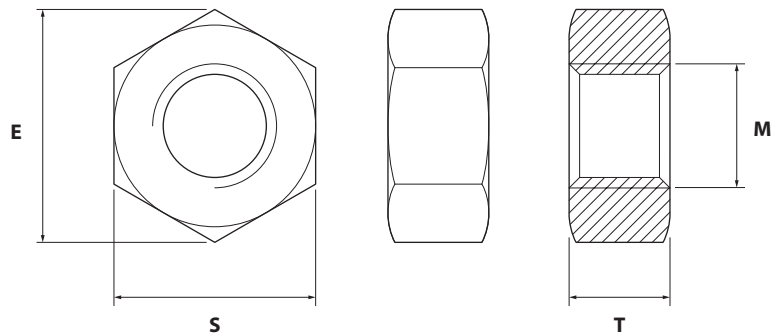


TUERCA DIN 934 |8| / ISO 4032 PAVONADA HEXAGONAL NUT DIN 934 |8|

FICHA TÉCNICA TECHNICAL DATA SHEET

Material / Material:
Recubrimiento / Coating:
Clase / Class:

Acero / Steel
 -
 |8|



MEDIDAS / MEASURES

M (mm)	S	E	T	Paso / Pitch
M3	5,5	6,01	2,4	0,5
M3,5	6	6,58	2,8	0,6
M4	7	7,66	3,2	0,7
M5	8	8,79	4,0	0,8
M6	10	11,05	5,0	1,0
M7	11	12,12	5,5	1,0
M8	13	14,38	6,5	1,25
M10	17/16*	18,90	8,0	1,5
M12	19/18*	21,10	10,0	1,75
M14	22/21*	24,49	11,0	2
M16	24	26,75	13,0	2
M18	27	29,56	15,0	2,5
M20	30	32,95	16,0	2,5
M22	32/34*	35,03	18,0	2,5
M24	36	39,55	19,0	3
M27	41	45,20	22,0	3
M30	46	50,85	24,0	3,5
M33	50	55,37	26,0	3,5
M36	55	60,79	29,0	4
M39	60	66,44	31,0	4
M42	65	72,09	34,0	4,5
M45	70	76,95	36,0	4,5
M48	75	82,60	38,0	5
M52	80	88,25	42,0	5
M56	85	93,56	45,0	5,5
M60	90	99,21	48,0	5,5
M64	95	104,86	51,0	6
M68	100	110,51	54,0	6
M72	105	116,16	58,0	6

* Medidas según norma ISO / Measurements according to ISO standard / Mesures selon la norme ISO / Messungen nach ISO-Norm
 DIN/ISO