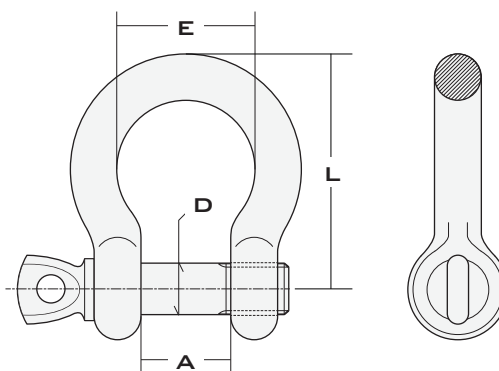


GRILLETE LIRA INOXIDABLE A-4
 STAINLESS STEEL AISI 316 BOW SHACKLES

FICHA TÉCNICA
 TECHNICAL DATA SHEET

 MATERIAL /
 MATERIAL:

ACERO INOXIDABLE A-4
 STAINLESS STEEL AISI 316


CÓDIGO CODE CODE	MEDIDA SIZE MEASURE (D) m.m.	CMA. Kg.	A m.m.	E m.m.	L m.m.	PESO
						WEIGHT POIDS Kg.
GLA405	5	80	10	15,0	20	0,020
GLA406	6	100	14	21,0	24	0,030
GLA408	8	200	16	24,0	32	0,080
GLA410	10	300	20	31,0	40	0,130
GLA412	12	500	26	38,0	48	0,224
GLA414	14	600	30	43,5	63,5	0,346
GLA416	16	800	32	52,0	64	0,370
GLA420	19	1.100	42	59,0	76	0,950
GLA425	25	2.000	54	76,5	100	2,200