

ABARCONES CON TUERCA Y ARANDELA - DIN 3570

"U" BOLT WITH NUTS AND WASHERS
 ÉTRIERS AVEC ÉCROUS ET RONDELLES
 RUNDSTAHLBÜGEL MIT MUTTER UND SCHEIBEN



CAJA / BOX / BOÎTE

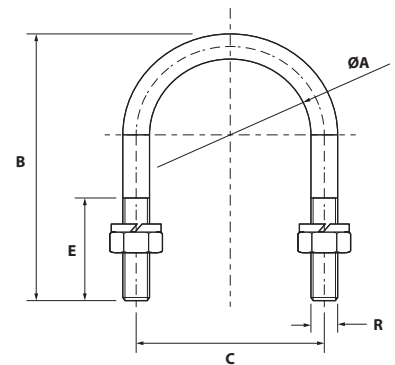
CÓDIGO Code / Code	CÓDIGO Code / Code	CÓDIGO Code / Code	MEDIDA Measure / Mesure	MEDIDA Measure / Mesure	A	B	C	E	R	
			Ø	Ø	m.m.	m.m.	m.m.	m.m.	m.m.	
W1	W4	W5								
W1	W4	W5	m.m.	Inch.	m.m.	m.m.	m.m.	m.m.	m.m.	
ABARZ0018	ABARA2W0018	-	-	1/8	11	36	17	19	M6	100
ABARZ0014	ABARA2W0014	-	-	1/4	14	40	20	19	M6	100
ABARZ0038	ABARA2W0038	ABARA4W0038	-	3/8	18	50	24	35	M6	100
ABARZ0012	ABARA2W0012	ABARA4W0012	-	1/2	22	53	28	35	M6	100
ABARZ0034	ABARA2W0034	ABARA4W0034	-	3/4	28	59	34	35	M6	100
ABARZ0100	ABARA2W0100	ABARA4W0100	-	1"	34	65	40	35	M6	100
ABARAZ038	ABARA2038	ABARA4038	Ø38	-	39	70	42	35	M6	100
ABARZ0114	ABARA2W0114	ABARA4W0114	-	1"1/4	43	74	49	35	M6	100
ABARZ0112	ABARA2W0112	ABARA4W0112	-	1"1/2	49	85	57	40	M8	100
ABARAZ053	ABARA2053	ABARA4053	Ø53	-	54	96	61	40	M8	100
ABARAZ054	ABARA2054	ABARA4054	Ø54	-	55	97	62	40	M8	100
ABARZ0200	ABARA2W0200	ABARA4W0200	-	2"	61	99	70	40	M8	100
ABARAZ065	ABARA2065	ABARA4065	Ø65	-	66	98	73	40	M8	100
ABARAZ070	ABARA2070	ABARA4070	Ø70	-	71	102	78	40	M8	100
ABARZ0212	ABARA2W0212	ABARA4W0212	-	2"1/2	77	113	83	40	M8	100
ABARAZ084	ABARA2084	ABARA4084	Ø84	-	85	117	94	40	M8	50
ABARZ0300	ABARA2W0300	ABARA4W0300	-	3"	90	126	98	40	M8	50
ABARAZ104	ABARA2104	ABARA4104	Ø104	-	105	149	114	40	M10	50
ABARZ0400	ABARA2W0400	ABARA4W0400	-	4"	115	155	125	40	M10	50
ABARAZ129	ABARA2129	ABARA4129	Ø129	-	130	170	140	40	M10	50
ABARZ0500	ABARA2W0500	ABARA4W0500	-	5"	144	184	154	40	M10	50
ABARAZ154	ABARA2154	ABARA4154	Ø154	-	155	194	164	40	M10	25
ABARZ0600	ABARA2W0600	ABARA4W0600	-	6"	170	210	180	40	M10	25
ABARAZ204	ABARA2204	ABARA4204	Ø204	-	206	244	214	40	M10	25
ABARZ0800	ABARA2W0800	ABARA4W0800	-	8"	221	259	230	40	M10	25
ABARAZ254	ABARA2254	ABARA4254	Ø254	-	256	294	264	40	M10	25
ABARZ1000	ABARA2W1000	ABARA4W1000	-	10"	275	313	284	40	M10	25
ABARAZ304	ABARA2304	ABARA4304	Ø304	-	306	344	314	50	M10	25
ABARZ1200	ABARA2W1200	ABARA4W1200	-	12"	324	368	334	50	M10	25
ABARAZ350	ABARA2350	ABARA4350	Ø350	-	354	407	364	50	M10	25

CARACTERÍSTICAS Y VENTAJAS

- Abarcón de acero cincado con forma de "U" para la sujeción de tubo redondo.
- Incluye 2 tuercas DIN 934 y 2 arandelas DIN 127-B premontadas.

CHARACTERISTICS AND ADVANTAGES

- U-shaped galvanized steel clamp for round tube fastening.
- Includes 2 pre-assembled DIN 934 nuts and 2 DIN 127-B washers.



CÓDIGO DE CALIDAD DEL MATERIAL UTILIZADO / QUALITY CODE OF THE MATERIAL USED

W1	- Totalmente en acero cincado / Fully zinc plated steel
W2	- Cinta y cabeza en acero inoxidable A-2 y tornillo en acero cincado / Band & head in stainless steel AISI 304 with zinc plated screw
W4	- Totalmente en acero inoxidable A-2 / Fully stainless steel AISI 304
W5	- Totalmente en acero inoxidable A-4 / Fully stainless steel AISI 316